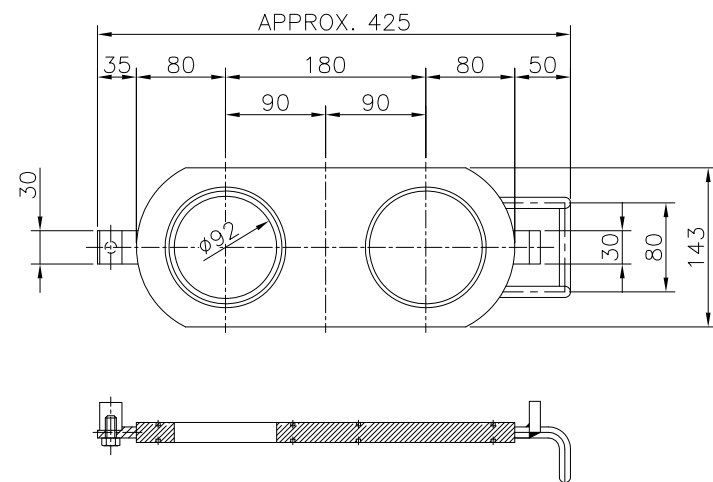
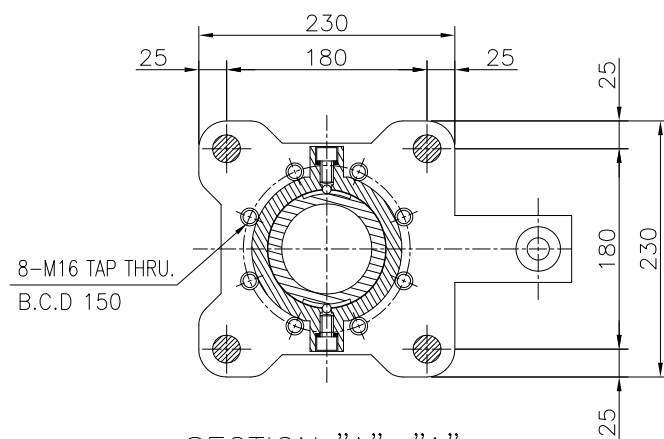


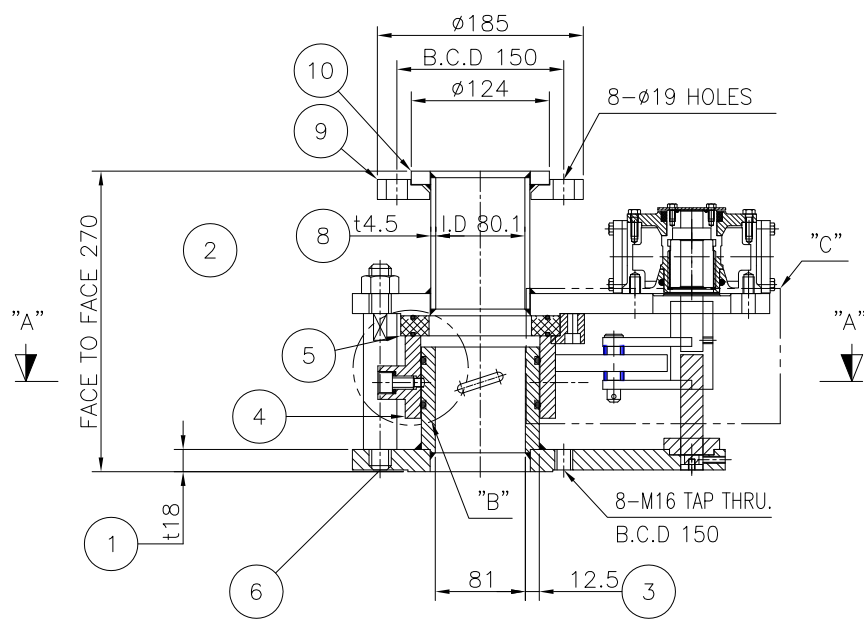
TOP VIEW



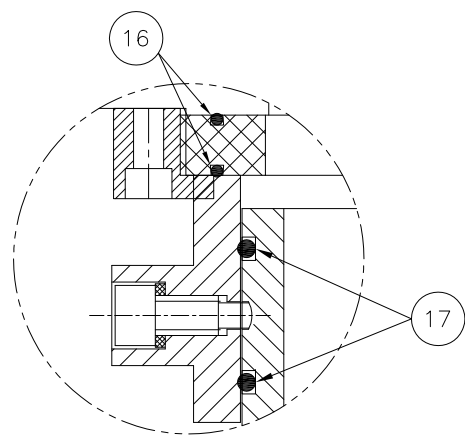
DETAIL OF GOGGLE PLATE



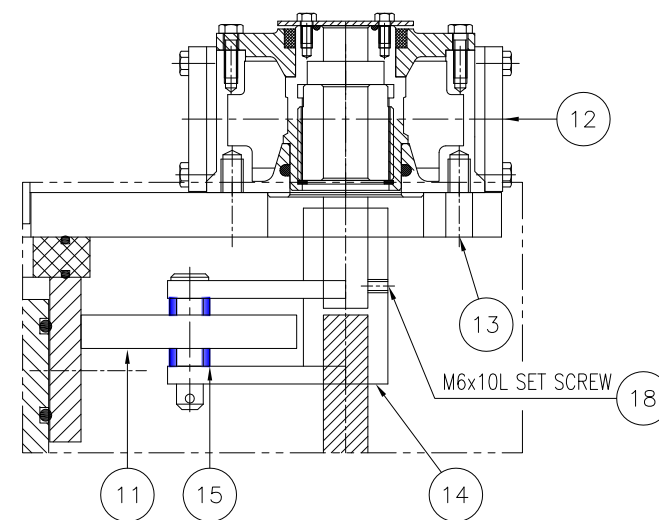
SECTION "A"-"A"



ELEVATION



DETAIL "B"
SCAL 1:3



DETAIL "C"
SCAL 1:2

| NO. | SPECIFICATION | MATERIAL | UNIT | QUANTITY | WEIGHT(KG) | | REMARK | 공급구분 |
|-----|----------------------------|--------------|------|----------|------------|-------|--------|------|
| | | | | | UNIT | TOTAL | | |
| | MANUAL OPERATED GOGGLE V/V | | SET | 1 | | | | |
| 1 | SQUARE FLANGE | STS304 | EA | 1 | | | | |
| 2 | GEAR SIDE FLANGE | STS304 | EA | 1 | | | | |
| 3 | BASE PIPE | STS304 | EA | 1 | | | | |
| 4 | OPERATING PIPE | STS304 | EA | 1 | | | | |
| 5 | GOGGLE PLATE | STS304 | EA | 1 | | | | |
| 6 | CONNECTING B/N/SW | 420J2+STS304 | SET | 4 | | | | |
| 7 | ==BLANK== | | | | | | | |
| 8 | BODY PIPE | STS304 | EA | 1 | | | | |
| 9 | BODY FLANGE | STS304 | EA | 1 | | | | |
| 10 | END PLATE | STS304 | EA | 1 | | | | |
| 11 | OPERATING BLOCK | STS304 | EA | 1 | | | | |
| 12 | GEAR BOX | PURCH. | EA | 1 | | | | |
| 13 | GEAR BOX B/SW | 4T | SET | 4 | | | | |
| 14 | LINK | STS304 | EA | 1 | | | | |
| 15 | BUSH | PURCH. | EA | 1 | | | | |
| 16 | SEAT | VITON | EA | 4 | | | | |
| 17 | PIPE SEAL | NBR | EA | 2 | | | | |
| 18 | SET SCREW | STS304 | EA | 1 | | | | |

NOTE.

1. FLANGE DRILLING : JIS 10K. RF FLANGE TYPE.
2. FACE-TO-FACE DIMENSIONS : MAKER ST'D
3. LEAK TEST : MAKER STANDARD.
SEAT(LK) : 11 Kg/cm² / 60sec.(WATER)
4. APPROX DIMENSION HAS ±10mm TOLERANCE

MODEL NO. : MTS310 - 860 GO V O-270
Q-CODE. : Q4190412

| posco | | | | | | | | | | SCALE | N/S | PROJECTION |
|----------|------|-------------------------|-------|---------|----------|----------|------------|------------|------------|-----------------------------|------------------|----------------|
| TITLE | | | | | | | | | | SIZE | A3 | mm |
| PLANT | | | | | | | | | | MANUAL OPERATED GOGGLE V/V | | |
| FACILITY | | | | | | | | | | JIS10K. RF FLANGE TYPE. 80A | | |
| NO. | DATE | REVISIONS & DESCRIPTION | DRAWN | CHECKED | REVIEWED | APPROVED | DRAWN | CHECKED | REVIEWED | APPROVED | CLASS NO. | MAKER DWG. NO. |
| | | | | | | | S.K LEE | I.W.PARK | S.J.KIM | M.G.AN | MTS-P1408110-001 | |
| | | | | | | | 2014.08.18 | 2014.08.18 | 2014.08.18 | 2014.08.18 | | |

주식회사 엠티에스