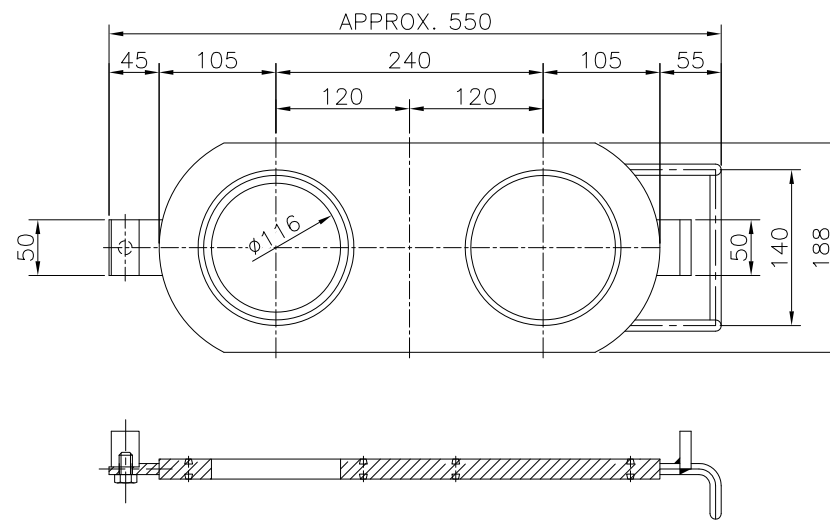
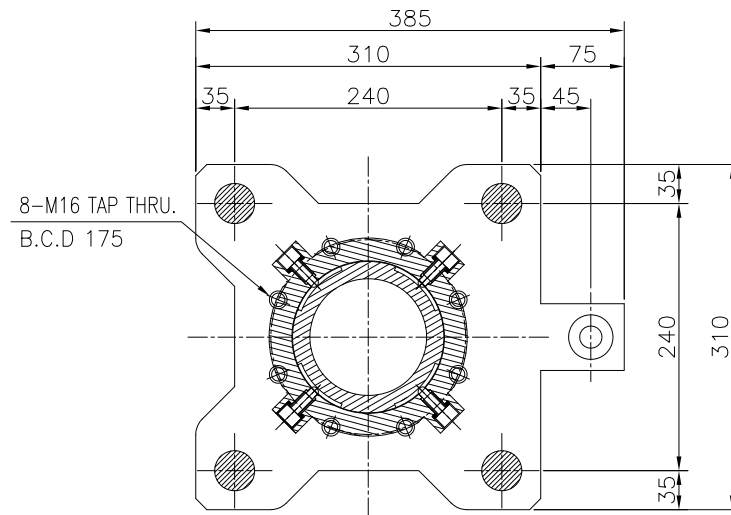


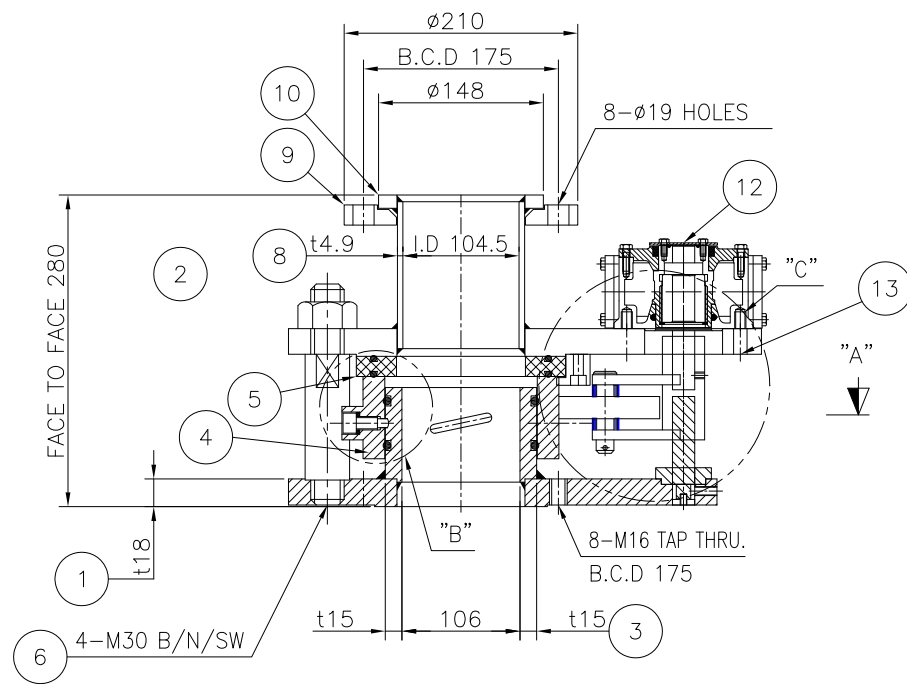
TOP VIEW



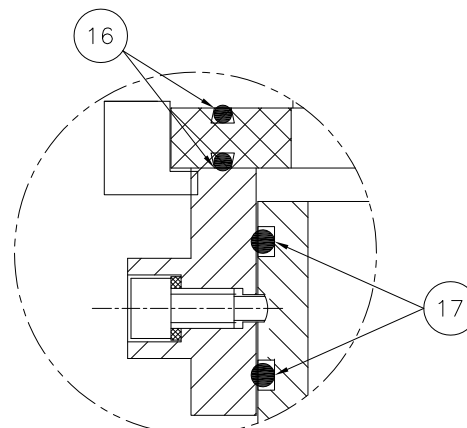
DETAIL OF GOGGLE PLATE



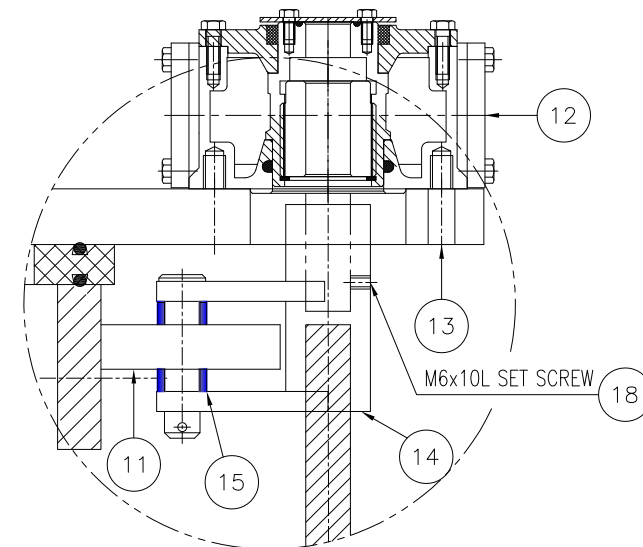
SECTION "A" - "A"



ELEVATION



DETAIL "B"
SCALE 1:3



DETAIL "C"
SCALE 1:2

NOTE.

1. FLANGE DRILLING : JIS 10K. RF FLANGE TYPE.
2. FACE-TO-FACE DIMENSIONS : MAKER ST'D
3. LEAK TEST : MAKER STANDARD.
SEAT(LK) : 11 Kg/cm² / 60sec.(WATER)
4. APPROX DIMENSION HAS ±10mm TOLERANCE

MODEL NO. MTS410-860 GO V O-280
Q-CODE. : Q4190413

NO.	SPECIFICATION	MATERIAL	UNIT	QUANTITY	WEIGHT(KG)		REMARK	공급구분
					UNIT	TOTAL		
	MANUAL OPERATED GOGGLE V/V		SET	1				
1	SQUARE FLANGE	STS304	EA	1				
2	GEAR SIDE FLANGE	STS304	EA	1				
3	BASE PIPE	STS304	EA	1				
4	OPERATING PIPE	STS304	EA	1				
5	GOGGLE PLATE	STS304	EA	1				
6	CONNECTING B/N/SW	420J2+STS304	SET	4				
7	==BLANK==							
8	BODY PIPE	STS304	EA	1				
9	BODY FLANGE	STS304	EA	1				
10	END PLATE	STS304	EA	1				
11	OPERATING BLOCK	STS304	EA	1				
12	GEAR BOX	PURCH.	EA	1				
13	GEAR BOX B/SW	4T	SET	4				
14	LINK	STS304	EA	1				
15	BUSH	PURCH.	EA	1				
16	SEAT	VITON	EA	4				
17	PIPE SEAL	NBR	EA	2				
18	SET SCREW	STS304	EA	1				

posco										SCALE	N/S	PROJECTION	
										SIZE	A3	DIMENSION	
										mm			
TITLE										MANUAL OPERATED GOGGLE V/V			
PLANT										JIS10K. RF FLANGE TYPE. 100A			
FACILITY													
NO.	DATE	REVISIONS & DESCRIPTION	DRAWN	CHECKED	REVIEWED	APPROVED	DRAWN	CHECKED	REVIEWED	APPROVED	CLASS NO.		
										REF. DWG. NO.	MTS-P1408110-001	MAKER DWG. NO.	
										POSCO DWG. NO.			

주식회사 엠티에스