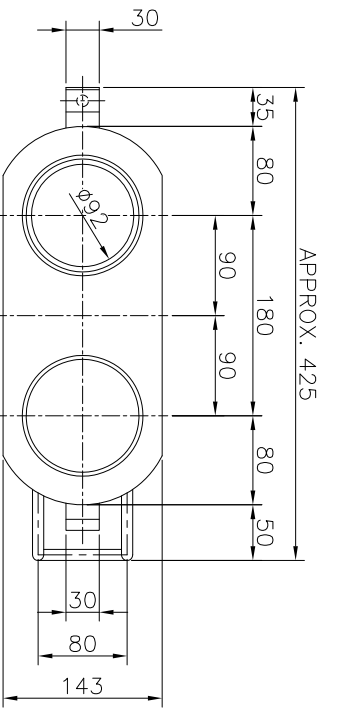
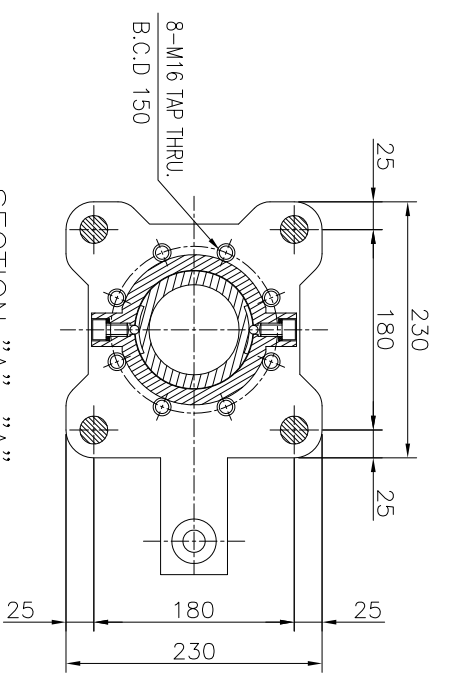


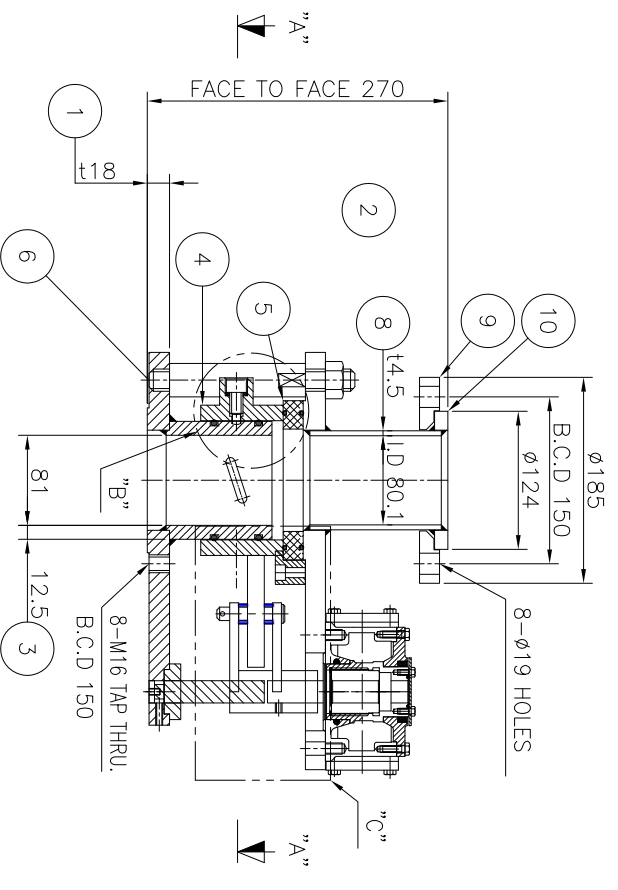
TOP VIEW



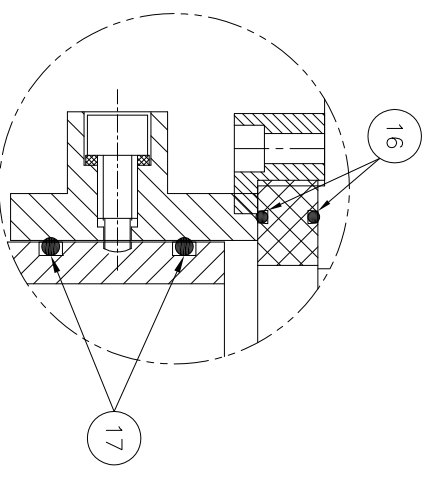
DETAIL OF GOGGLE PLATE



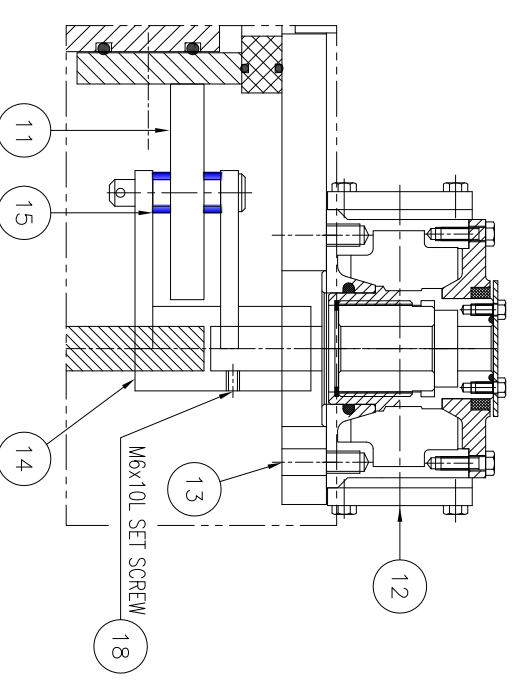
SECTION "A"-"A"



ELEVATION



DETAIL "B"  
SCALE 1:3



DETAIL "C"  
SCALE 1:2

NO.	SPECIFICATION	MATERIAL	UNIT	QUANTITY	WEIGHT(G)		REMARK
					UNIT	TOTAL	
1	MANUAL OPERATED GOGGLE V/V		SET	1			
1	SQUARE FLANGE	STS304	EA	1			
2	GEAR SIDE FLANGE	STS304	EA	1			
3	BASE PIPE	STS304	EA	1			
4	OPERATING PIPE	STS304	EA	1			
5	GOGGLE PLATE	STS304	EA	1			
6	CONNECTING B/V/SW	420J2+STS304	SET	4			
7	==BLANK==						
8	BODY PIPE	STS304	EA	1			
9	BODY FLANGE	STS304	EA	1			
10	END PLATE	STS304	EA	1			
11	OPERATING BLOCK	STS304	EA	1			
12	GEAR BOX	PURCH.	EA	1			
13	GEAR BOX B/SW	4T	SET	4			
14	LINK	STS304	EA	1			
15	BUSH	PURCH.	EA	1			
16	SEAT	VITON	EA	4			
17	PIPE SEAL	NBR	EA	2			
18	SET SCREW	STS304	EA	1			

NOTE:  
 1. FLANGE DRILLING : JIS 10K. RF FLANGE TYPE.  
 2. FACE-TO-FACE DIMENSIONS : MAKER STD  
 3. LEAK TEST : MAKER STANDARD.  
 SEAT(LK) : 11 Kg/cm<sup>2</sup> / 60sec (WATER)  
 4. APPROX DIMENSION HAS ±10mm TOLERANCE  
 MODEL NO. : MTS310 - 860 GO V O  
 Q-CODE. : Q4217284

		TITLE MANUAL OPERATED GOGGLE V/V		SCALE N/S	
NO. DATE REVISIONS & DESCRIPTION		DRAWN CHECKED FACILITY		CLASS N/S	
		DRAWN CHECKED FACILITY		DIMENSION mm	
SIGNATURE DATE		DRAWN CHECKED FACILITY		DIMENSION mm	
DATE		DATE		DATE	