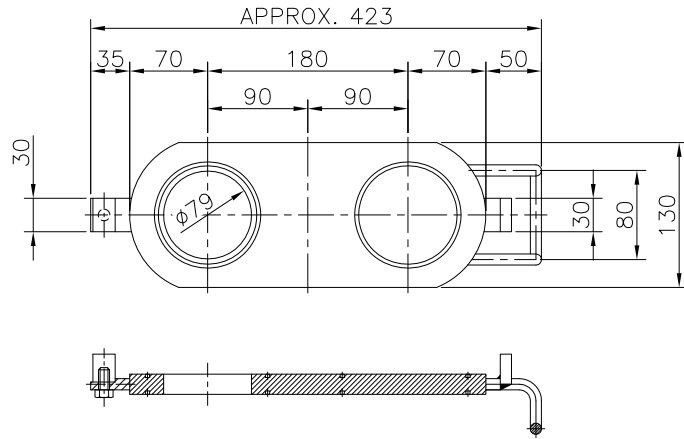
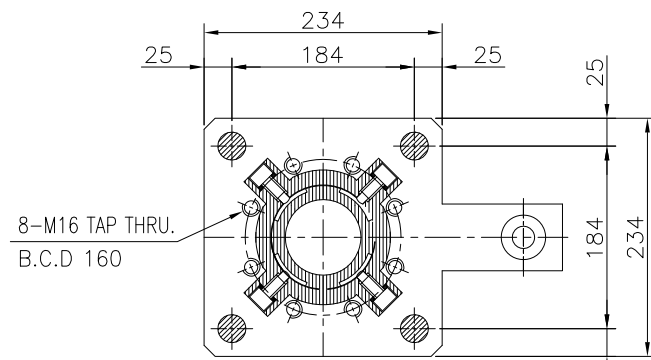


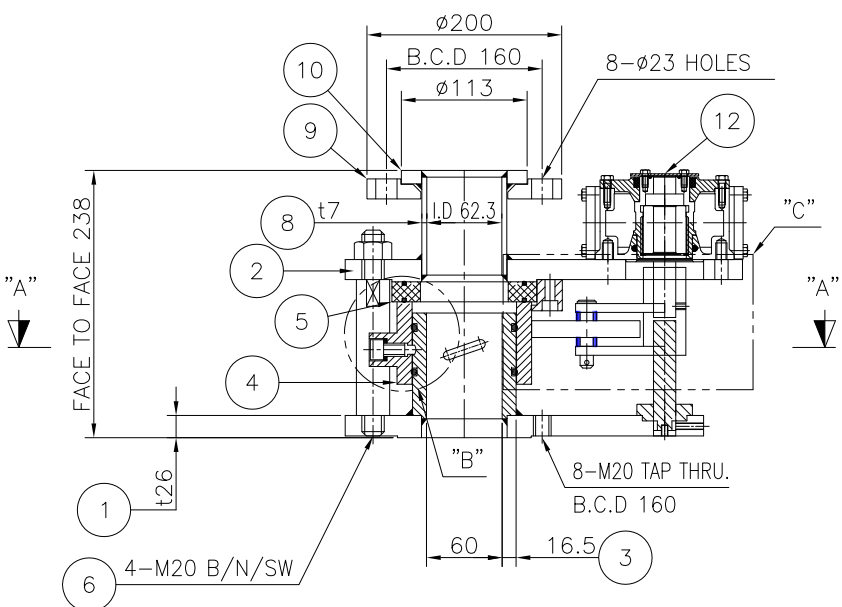
TOP VIEW



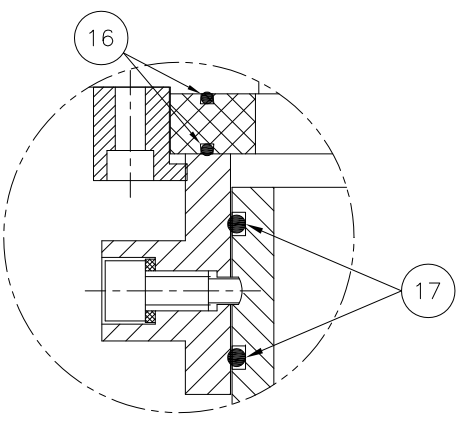
DETAIL OF GOGGLE PLATE



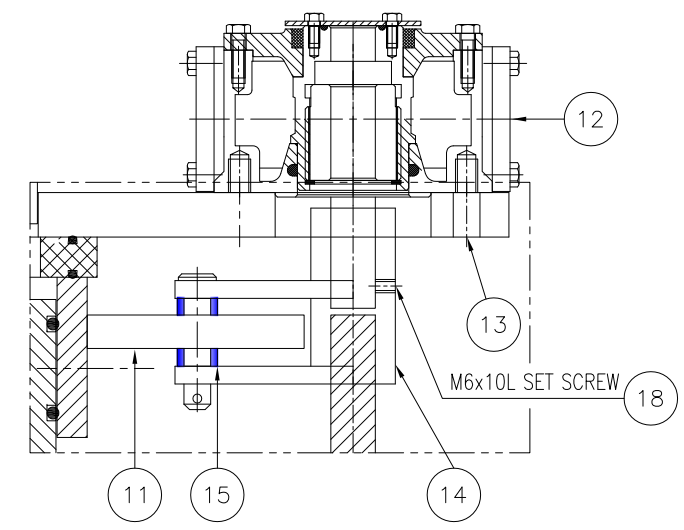
SECTION "A" - "A"



ELEVATION



DETAIL "B"  
SCALE 1:3



DETAIL "C"  
SCALE 1:2

NO.	SPECIFICATION	MATERIAL	UNIT	QUANTITY	WEIGHT(KG)		REMARK	공급구분
					UNIT	TOTAL		
	MANUAL OPERATED GOGGLE V/V		SET	1				
1	SQUARE FLANGE	STS304	EA	1				
2	GEAR SIDE FLANGE	STS304	EA	1				
3	BASE PIPE	STS304	EA	1				
4	OPERATING PIPE	STS304	EA	1				
5	GOGGLE PLATE	STS304	EA	1				
6	CONNECTING B/N/SW	STS304	SET	4				
7	==BLANK==							
8	BODY PIPE	STS304	EA	1				
9	BODY FLANGE	STS304	EA	1				
10	END PLATE	STS304	EA	1				
11	OPERATING BLOCK	STS304	EA	1				
12	GEAR BOX	PURCH.	EA	1				
13	GEAR BOX B/SW	4T	SET	4				
14	LINK	STS304	EA	1				
15	BUSH	PURCH.	EA	1				
16	SEAT	VITON	EA	4				
17	PIPE SEAL	NBR	EA	2				
18	SET SCREW	STS304	EA	1				

NOTE.  
 1. FLANGE DRILLING : JIS 30K. RF FLANGE TYPE.  
 2. FACE-TO-FACE DIMENSIONS : MAKER ST'D  
 3. LEAK TEST : MAKER STANDARD.  
 SEAT(LK) : 11 Kg/cm<sup>2</sup> / 60sec.(WATER)  
 4. APPROX DIMENSION HAS ±10mm TOLERANCE  
 MODEL NO. MTS240-860 GO V O-238  
 Q-CODE. : Q4401122

posco										SCALE	N/S	PROJECTION	
TITLE										SIZE	A3	mm	
PLANT: MANUAL OPERATED GOGGLE V/V										CLASS NO.			
FACILITY: JIS30K. RF FLANGE TYPE. 65A										MAKER DWG. NO. MTS-P180424-002			
NO.	DATE	REVISIONS & DESCRIPTION	DRAWN	CHECKED	REVIEWED	APPROVED	DRAWN	CHECKED	REVIEWED	APPROVED	POSCO DWG. NO.		
							C.H.JUNG	I.W.PARK	I.W.PARK	M.G.AN			
							2018.04.24	2018.04.24	2018.04.24	2018.04.24			

주식회사 엠티에스