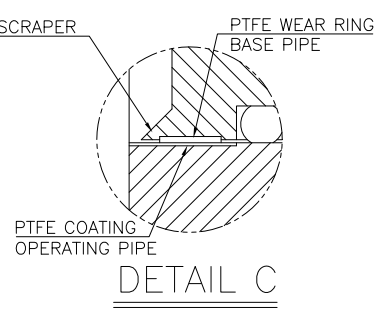
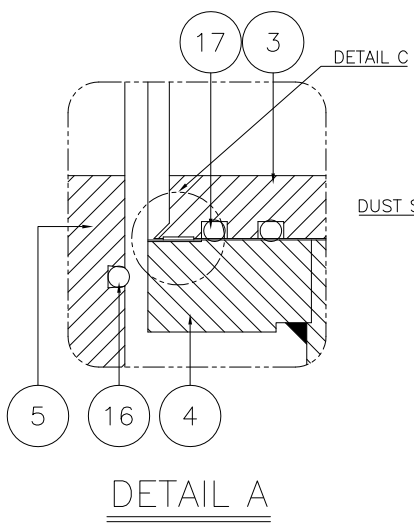
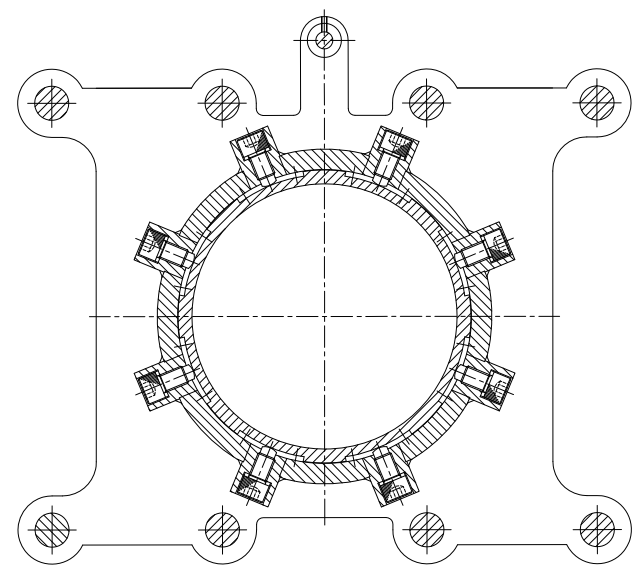
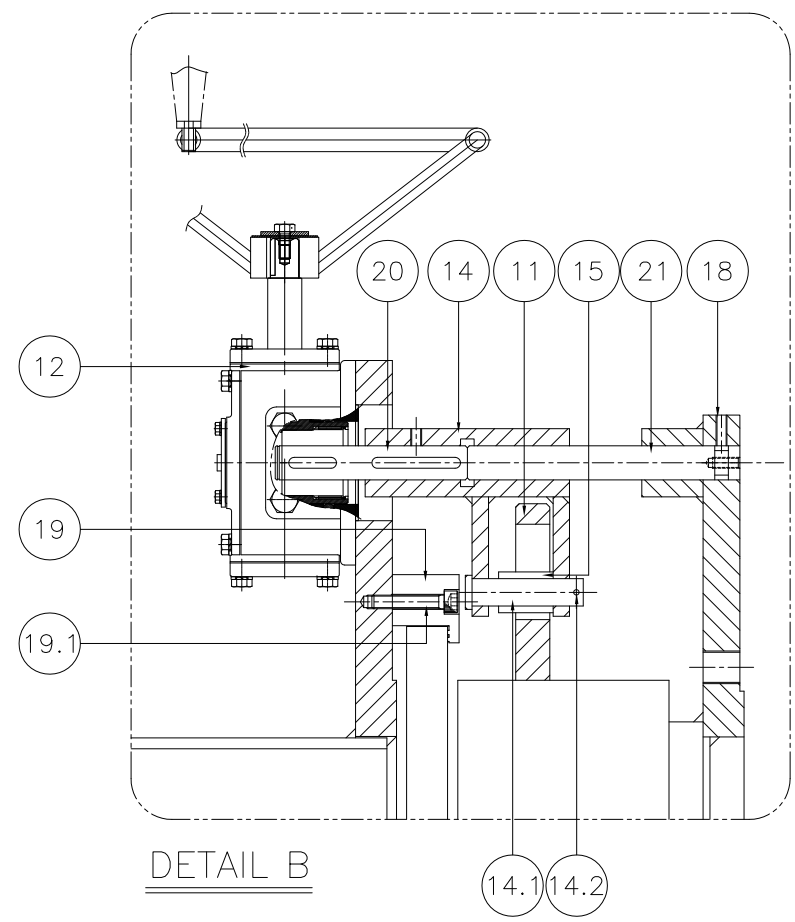
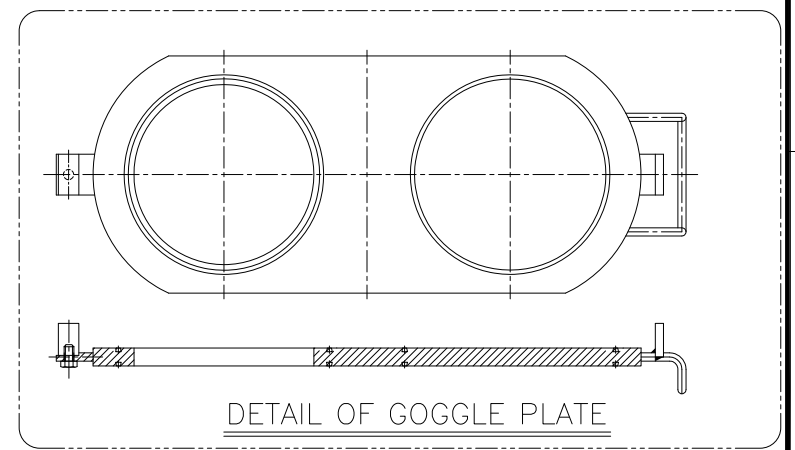


NO.	SPECIFICATION	MATERIAL	UNIT	QUANTITY	WEIGHT(KG)		REMARK	공급구분
					UNIT	TOTAL		
	MANUAL OPERATED GOGGLE V/V		SET	1				
1	SQUARE FLANGE	STS304	EA	1				
2	GEAR SIDE FLANGE	STS304	EA	1				
3	BASE PIPE	STS304	EA	1				
4	OPERATING PIPE	STS304	EA	1				
5	GOGGLE PLATE	STS304	EA	1				
6	CONNECTING B/N/SW	STS304	SET	8				
7	BEARING	OILLESS	EA	8				
8	BODY PIPE	STS304	EA	1				
9	BODY FLANGE	STS304	EA	1				
10	END PLATE	STS304	EA	1				
11	OPERATING BLOCK	STS304	EA	1				
12	GEAR BOX	PURCH.	EA	1				
13	GEAR BOX B/SW	4T	SET	4				
14	LINK	STS304	EA	1				
14.1	PIN	STS304	EA	1				
14.2	SPRIT PIN	PURCH.	EA	1				
15	BUSH	PURCH.	EA	1				
16	SEAT	VITON	EA	4				
17	PIPE SEAL	NBR	EA	4				
18	SET SCREW	STS304	EA	2				
19	GUIDE	STS304	EA	4				
19.1	GUIDE BOLT	STS304	EA	16				
20	SHAFT	STS304	EA	1				
21	BACK PIN	STS304	EA	1				



NOTE.
 1. FLANGE DRILLING : JIS 10K. RF FLANGE TYPE.
 2. FACE-TO-FACE DIMENSIONS : MAKER ST'D
 3. LEAK TEST : MAKER STANDARD.
 SEAT(LK) : 11 Kg/cm² / 60sec.(WATER)
 4. APPROX DIMENSION HAS ±10mm TOLERANCE

MODEL NO.: MTS1110-860 GO V O-510
 Q CODE. : Q4410381



posco										SCALE	N/S	PROJECTION
										SIZE	A3	DIMENSION
										mm		
TITLE										PLANT		
2018.07.13 FOR APPROVAL										MANUAL OPERATED GOGGLE V/V		
L.W.PARK I.W.PARK J.SEO M.G.AN										JISTOK. RF FLANGE TYPE. 400A		
NO. DATE REVISIONS & DESCRIPTION DRAWN CHECKED REVIEWED APPROVED										FACILITY		
SIGNATURE										DRAWN		
DATE										CHECKED		
MAKER										REVIEWED		
L.W.PARK I.W.PARK J.SEO M.G.AN										APPROVED		
2018.07.13 2018.07.13 2018.07.13 2018.07.13										DRAWN		
										CHECKED		
										REVIEWED		
										APPROVED		
										POSICO		
										DWC. NO.		
										CLASS NO.		
										MAKER		
										DWC. NO.		
										MTS-P1802930-002		

주식회사 엠티에스