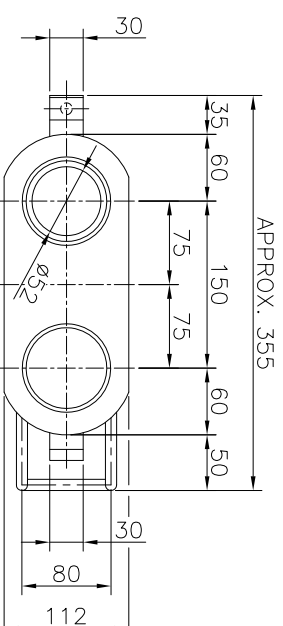
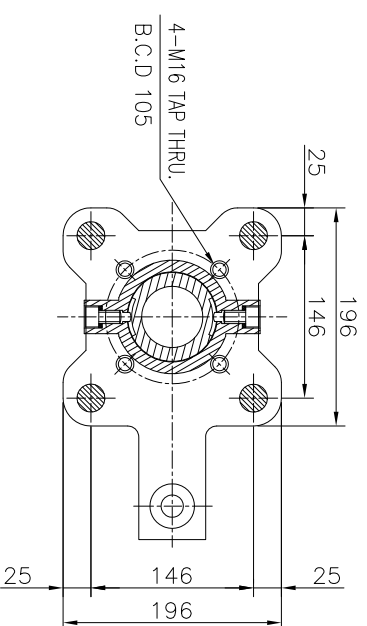


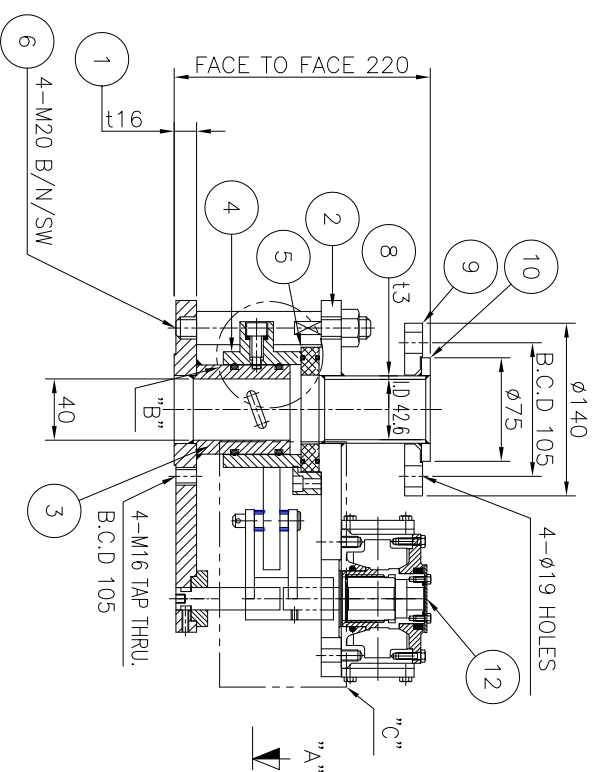
TOP VIEW



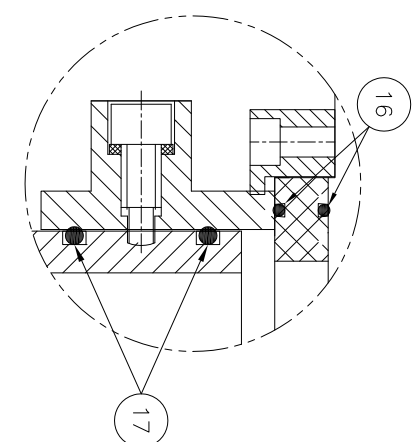
DETAIL OF GOGGLE PLATE



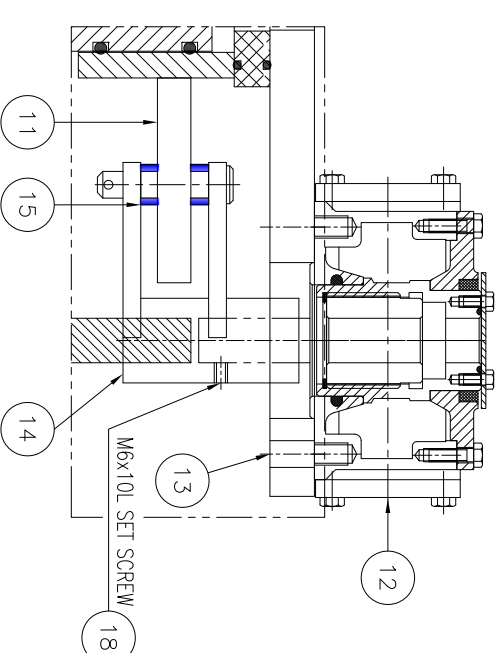
SECTION "A"-"A"



ELEVATION



DETAIL "B"
SCALE 1:3



DETAIL "C"
SCALE 1:2

NO.	SPECIFICATION	MATERIAL	UNIT	QUANTITY	WEIGHT(G)		REMARK
					UNIT	TOTAL	
1	MANUAL OPERATED GOGGLE V/V		SET	1			
1	SQUARE FLANGE	STS304	EA	1			
2	GEAR SIDE FLANGE	STS304	EA	1			
3	BASE PIPE	STS304	EA	1			
4	OPERATING PIPE	STS304	EA	1			
5	GOGGLE PLATE	STS304	EA	1			
6	CONNECTING B/V/SW	420J2+STS304	SET	4			
7	==BLANK==						
8	BODY PIPE	STS304	EA	1			
9	BODY FLANGE	STS304	EA	1			
10	END PLATE	STS304	EA	1			
11	OPERATING BLOCK	STS304	EA	1			
12	GEAR BOX	PURCH.	EA	1			
13	GEAR BOX B/SW	4T	SET	4			
14	LINK	STS304	EA	1			
15	BUSH	PURCH.	EA	1			
16	SEAT	VITON	EA	4			
17	PIPE SEAL	NBR	EA	2			
18	SET SCREW	STS304	EA	1			

NOTE.

1. FLANGE DRILLING : JIS 10K. RF FLANGE TYPE.
2. FACE-TO-FACE DIMENSIONS : MAKER ST'D
3. LEAK TEST : MAKER STANDARD.
SEAT(LK) : 11 kg/cm² / 60sec.(WATER)
4. APPROX DIMENSION HAS ±10mm TOLERANCE

MODEL NO. : MTS C10-860 GO V O
Q-CODE : Q4410788

		SCALE N/S PROJECTION SIZE A3 DIMENSION mm	
TITLE MANUAL OPERATED GOGGLE V/V		CLASS NO. MTS-P1408110-001	
FACILITY JISTOK. RF FLANGE TYPE. 40A		DRAWN S.K. LEE	
REVISIONS & DESCRIPTION		CHECKED I.W. PARK	
NO. DATE		APPROVED M.G. AN	
		DATE 2014.08.18	