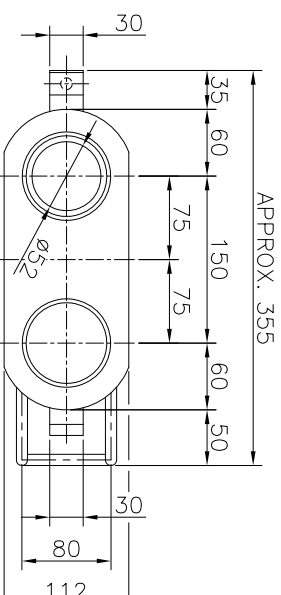
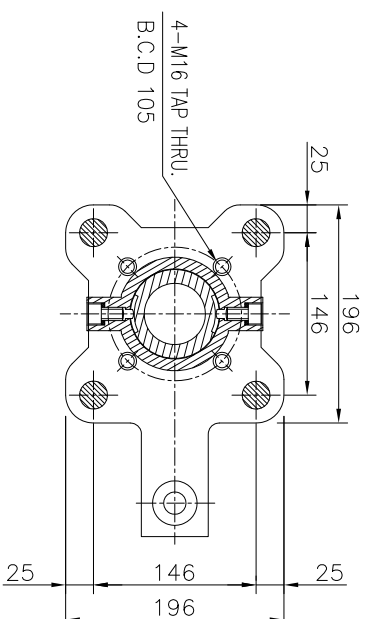


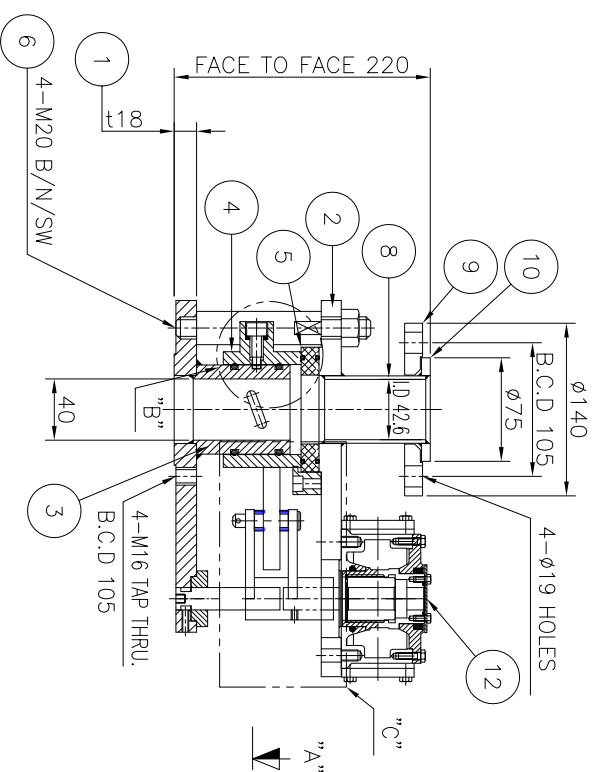
TOP VIEW



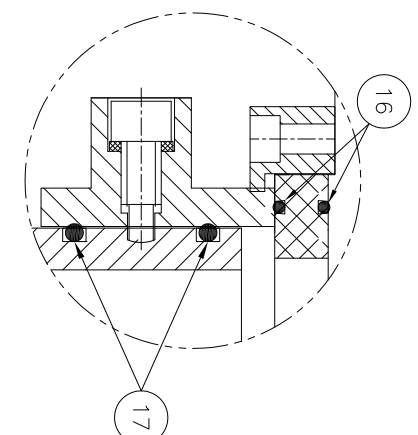
DETAIL OF GOGGLE PLATE



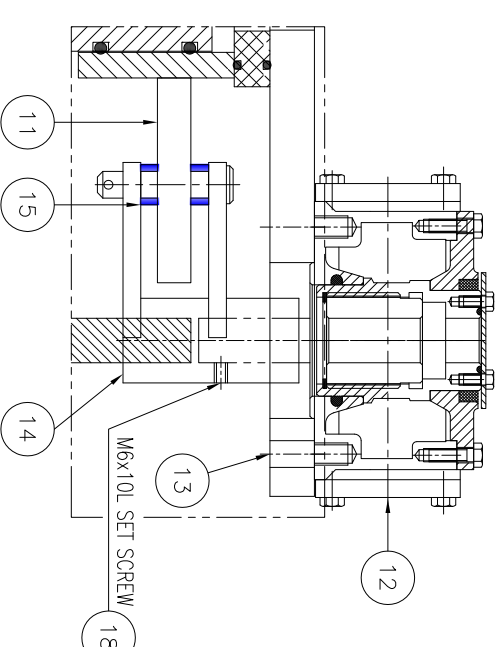
SECTION "A"-"A"



ELEVATION



DETAIL "B"  
SCALE 1:3



DETAIL "C"  
SCALE 1:2

NO.	SPECIFICATION	MATERIAL	UNIT	QUANTITY	WEIGHT(G)		REMARK
					UNIT	TOTAL	
1	MANUAL OPERATED GOGGLE V/V		SET	1			
1	SQUARE FLANGE	STS304	EA	1			
2	GEAR SIDE FLANGE	STS304	EA	1			
3	BASE PIPE	STS304	EA	1			
4	OPERATING PIPE	STS304	EA	1			
5	GOGGLE PLATE	STS304	EA	1			
6	CONNECTING B/N/SW	STS304	SET	4			
7	==BLANK==						
8	BODY PIPE	STS304	EA	1			
9	BODY FLANGE	STS304	EA	1			
10	END PLATE	STS304	EA	1			
11	OPERATING BLOCK	STS304	EA	1			
12	GEAR BOX	PURCH.	EA	1			
13	GEAR BOX B/SW	4T	SET	4			
14	LINK	STS304	EA	1			
15	BUSH	PURCH.	EA	1			
16	SEAT	VITON	EA	4			
17	PIPE SEAL	NBR	EA	2			
18	SET SCREW	STS304	EA	1			

- NOTE.
1. FLANGE DRILLING : JIS 20K. RF FLANGE TYPE.
  2. FACE-TO-FACE DIMENSIONS : MAKER ST'D
  3. LEAK TEST : MAKER STANDARD.  
SEAT(LK) : 22 kg/cm<sup>2</sup> / 60sec.(WATER)
  4. INSPECTION TEST PLAN  
mo, VI, DM, PR, FC, PK
  5. APPROX DIMENSION HAS ±10mm TOLERANCE

MODEL NO. : MTS C30-860 GO V O  
Q-CODE : Q4411367

NO.		DATE		REVISIONS & DESCRIPTION		DRAWN	CHECKED	REVIEWED	APPROVED
<b>posco</b>									
TITLE		MANUAL OPERATED GOGGLE V/V							
PLANT		JIS20K. RF FLANGE TYPE. 40A							
FACILITY		JIS20K. RF FLANGE TYPE. 40A							
DESIGN	CHECKED	REVIEWED	APPROVED	DESIGN	CHECKED	REVIEWED	APPROVED	DESIGN	CHECKED
DATE	DATE	DATE	DATE	DATE	DATE	DATE	DATE	DATE	DATE
2014.08.18	2014.08.18	2014.08.18	2014.08.18	2014.08.18	2014.08.18	2014.08.18	2014.08.18	2014.08.18	2014.08.18
CLASS NO.	WORK NO.	POSCO WORK NO.		DRAWN		CHECKED		REVIEWED	
				S.K. LEE		I.W. PARK		S.J. MIN	
				2014.08.18		2014.08.18		2014.08.18	
SCALE	N/S	PROJECTION							
A3		mm							
CLASS NO.		WORK NO.		MIS-P1408110-001					

주식회사 포스코