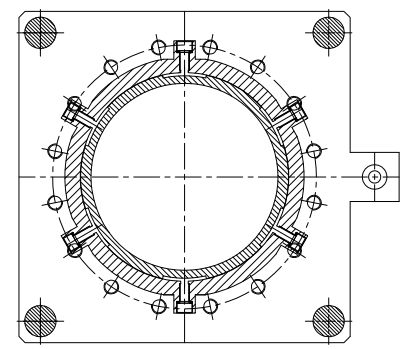
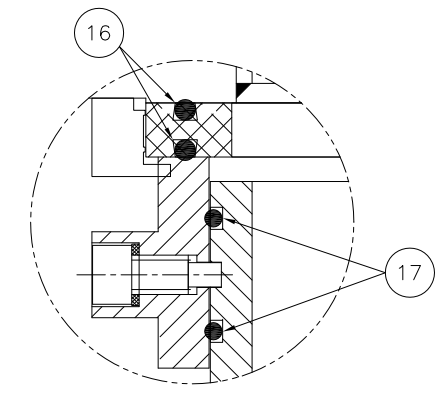


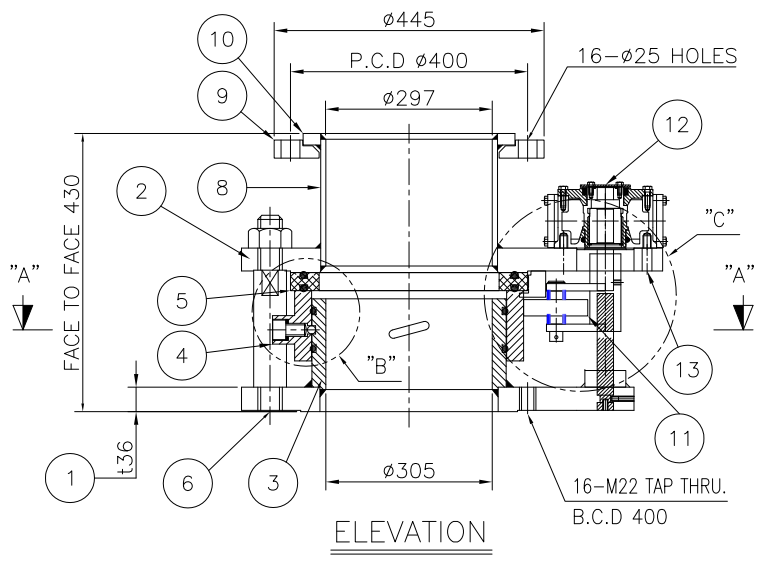
TOP VIEW



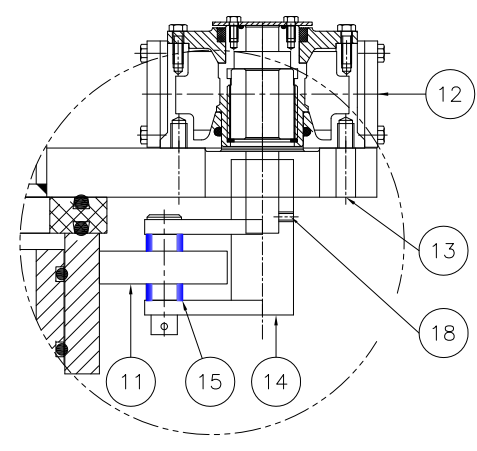
SECTION "A"-"A"



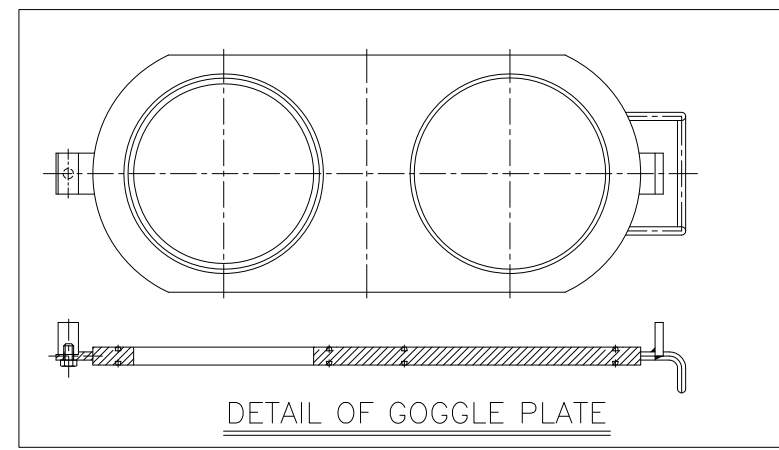
DETAIL "B"



ELEVATION



DETAIL "C"



DETAIL OF GOGGLE PLATE

NO.	SPECIFICATION	MATERIAL	UNIT	QUANTITY	WEIGHT(KG)		REMARK	공급구분
					UNIT	TOTAL		
	MANUAL OPERATED GOGGLE V/V		SET	1				
1	SQUARE FLANGE	STS304	EA	1				
2	GEAR SIDE FLANGE	STS304	EA	1				
3	BASE PIPE	STS304	EA	1				
4	OPERATING PIPE	STS304	EA	1				
5	GOGGLE PLATE	STS304	EA	1				
6	CONNECTING B/N/SW	STS304	SET	4				
7	==BLANK==							
8	BODY PIPE	STS304	EA	1				
9	BODY FLANGE	STS304	EA	1				
10	END PLATE	STS304	EA	1				
11	OPERATING BLOCK	STS304	EA	1				
12	GEAR BOX	PURCH.	EA	1				
13	GEAR BOX B/SW	4T	SET	4				
14	LINK	STS304	EA	1				
15	BUSH	PURCH.	EA	1				
16	SEAT	VITON	EA	4				
17	PIPE SEAL	NBR	EA	2				
18	SET SCREW	STS304	EA	1				

NOTE.

1. FLANGE DRILLING : JIS 10K. RF FLANGE TYPE.
2. FACE-TO-FACE DIMENSIONS : MAKER ST'D
3. LEAK TEST : MAKER STANDARD.
SEAT(LK) : 11 Kg/cm² / 60sec.(WATER)
4. APPROX DIMENSION HAS ±10mm TOLERANCE

MODEL NO.: MTS910-860 GO V O-430
Q-CODE.: Q4433118

posco										SCALE	N/S	PROJECTION	☐	
										SIZE	A3	DIMENSION	mm	
										TITLE	PLANT MANUAL OPERATED GOGGLE V/V			
										FACILITY JISTOK. RF FLANGE TYPE. 300A				
2018.02.08	FOR APPROVAL	C.H.JUNG	I.W.PARK	I.W.PARK	M.G.AN				CLASS NO.					
NO.	DATE	REVISIONS & DESCRIPTION	DRAWN	CHECKED	REVIEWED	APPROVED	DRAWN	CHECKED	REVIEWED	APPROVED	MAKER DWG. NO.			
							C.H.JUNG	I.W.PARK	I.W.PARK	M.G.AN	MTS-P1802930-002			
주식회사 엠티에스										POSCO DWG. NO.				
										DATE	2018.02.08	2018.02.08	2018.02.08	2018.02.08